
Comfort-Cire®

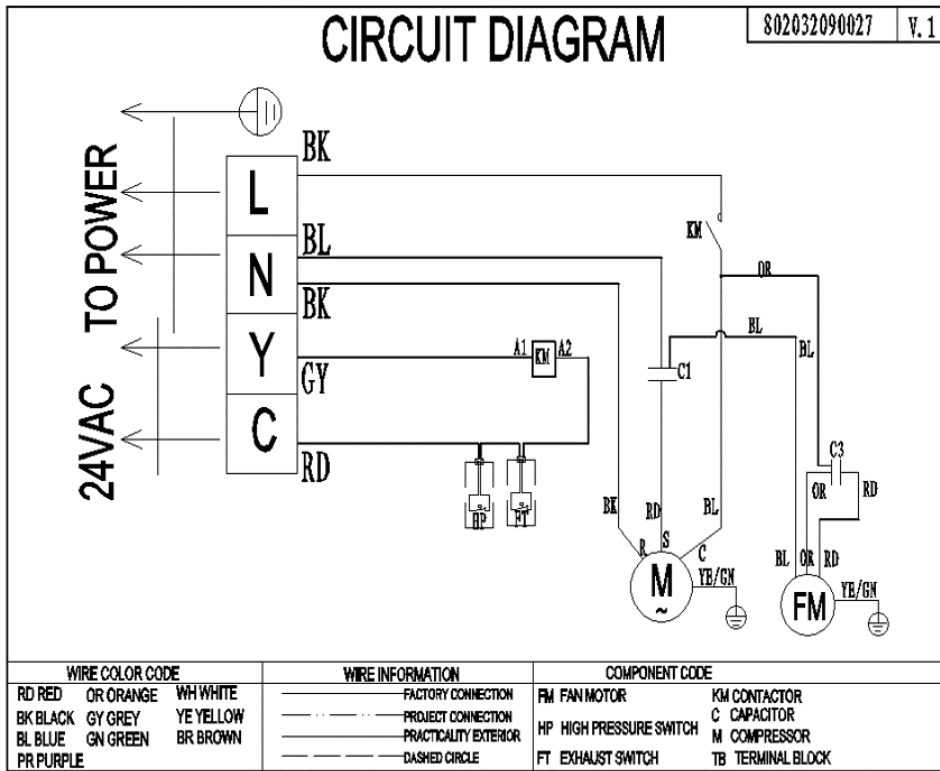
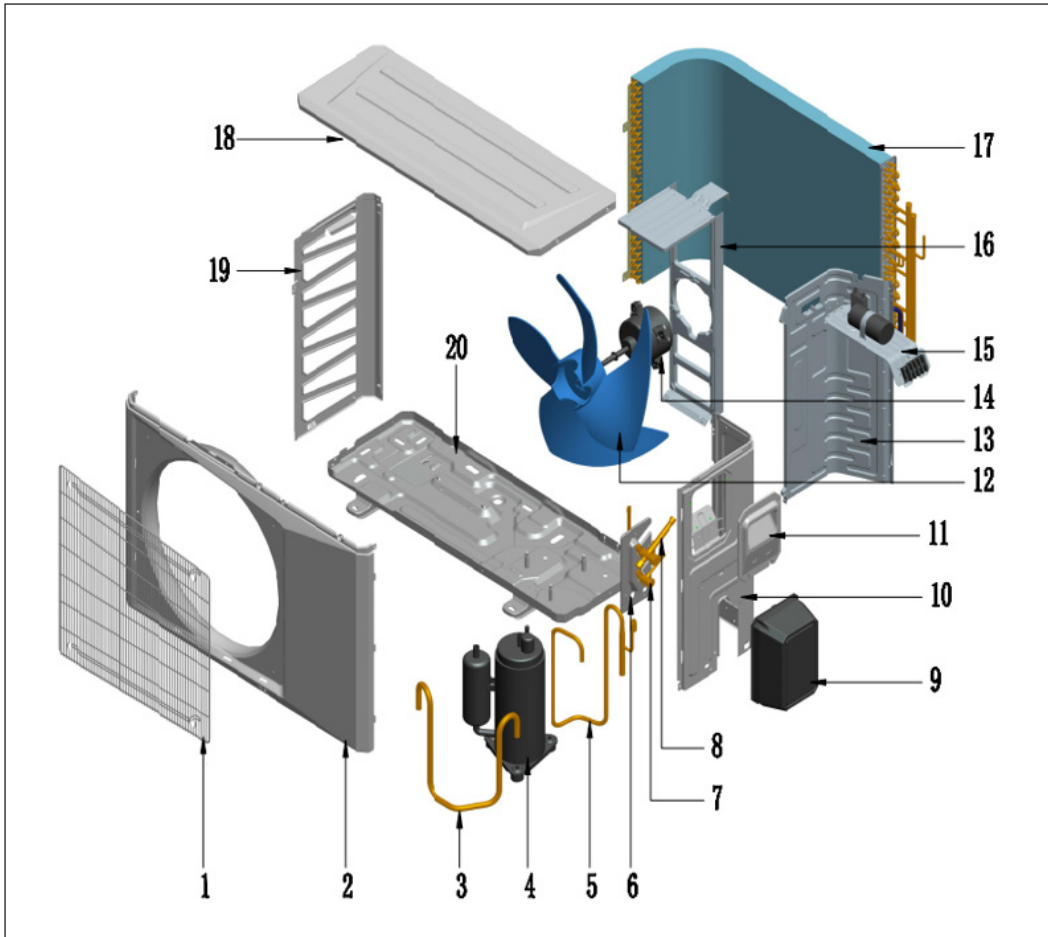
Century®

PARTS LIST

**Horizontal/Side Discharge
Condensing Units**

CMA-1412SG

EXPLODED VIEW



REPLACEMENT PARTS

Location	Part Name	Quantity	Part No.
1	Net cover of air outlet(Mental)	1	802932090001
2	Front panel	1	801232490075
3	Air-return pipe of compressor	1	801632090030
4	Compressor	1	801401400154
5	Discharge pipe assy	1	801632090028
5.1	Discharge pipe of compressor	1	801632090029
5.2	Flute tube	1	801632090032
5.3	Pressure Switch	1	802300900041
6	Valve holder	1	801228200171
7	Cut-off valve (DN4)	1	801600200036
8	Cut-off valve (DN10)	1	801600200010
9	Cover of cut-off valve	1	801137000005
10	Right rear side panel part	1	801232090019
11	Handle	1	801232490069
12	Axial-flow fan blade	1	801100300044
13	Separating board	1	801232490047
14	Outdoor fan motor	1	802400400792
15	Electric control box components	1	803330000003
15.1	Electrical installation board	1	801232090015
15.2	Terminal	1	802401800090
15.3	Compressor capacitor	1	802401000063
15.4	Fan motor capacitor	1	802401100099
15.5	Capacitor clip	1	801200100073
15.6	AC contactor	1	802300100253
16	Holder of fan motor	1	801232490048
17	Condenser parts	1	801532090009
18	Top cover parts	1	801232490077
19	Left side panel	1	801232490074
20	Chassis parts	1	801232090014



Due to ongoing product improvements, specifications and dimensions are subject to change and correction without notice or incurring obligations. Determining the application and suitability for use of any product is the responsibility of the installer. Additionally, the installer is responsible for verifying dimensional data on the actual product prior to beginning any installation preparations.

Incentive and rebate programs have precise requirements as to product performance and certification. All products meet applicable regulations in effect on date of manufacture; however, certifications are not necessarily granted for the life of a product. Therefore, it is the responsibility of the applicant to determine whether a specific model qualifies for these incentive/rebate programs.

Comfort-Aire® **Century**®

1900 Wellworth Ave., Jackson, MI 49203 • Ph. 517-787-2100 • www.marsdelivers.com

